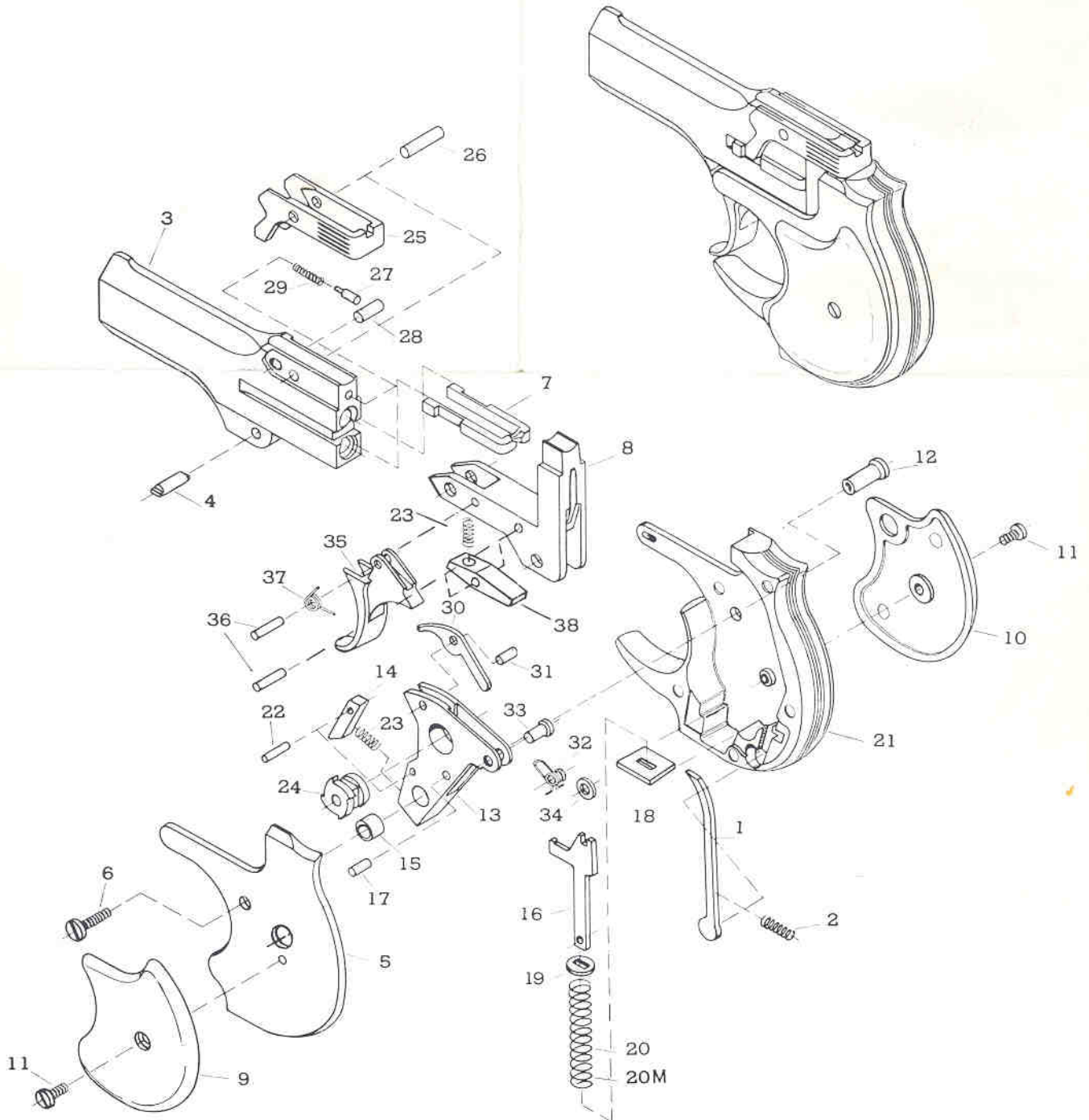


HIGH STANDARD SPORTING FIREARMS • 1817 DIXWELL AVENUE, HAMDEN, CONNECTICUT 06514

A DIVISION OF THE LEISURE GROUP, INC.

PARTS BREAKDOWN

DERRINGER
.22 CALIBER PISTOLS



PARTS LIST FOR
DERRINGER
.22 CALIBER PISTOLS

REF. NO.	PART NO.	PART NAME
1	1937	Actuator
2	1939	Actuator Spring
3	* 1916	Barrel
N.I.	* 1981	Barrel & Extractor Assembly - Blue
N.I.	*50228	Barrel & Extractor Assembly - Nickel
N.I.	* 1991	Barrel & Extractor Assembly - DM-101 - Blue
N.I.	*50029	Barrel & Extractor Assembly - DM-101 - Nickel
4	1926	Barrel Pivot Pin
5	1903	Cover Plate - Blue
5	50218	Cover Plate - Nickel
6	1913	Cover Plate Screw
7	* 1917	Extractor
8	* 1970	"L" Frame - Blue
8	*50219	"L" Frame - Nickel
9	1930	Grip, Left Side - White
9	50225	Grip, Left Side - Black
10	1931	Grip, Right Side - White
10	50226	Grip, Right Side - Black
11	1915	Grip Screw (2) ea.
12	1936	Hammer Pivot Screw
13	1973	Hammer
N.I.	1994	Hammer Assembly
14	1927	Hammer Pawl
15	1922	Hammer Pivot Sleeve
16	* 1929	Hammer Strut
17	1907	Hammer Strut Pin
18	1921	Hammer Strut Plate
19	1932	Hammer Strut Washer
20	1933	Hammer Spring
20M	1958	Hammer Spring - DM-101
21	1902	Housing - Blue
21	50221	Housing - Nickel
22	1908	Hammer Pawl Pin
23	1941	Hammer Pawl Spring
23	1941	Hammer Safety Block Spring
24	1965	Ratchet
25	* 1906	Stirrup - Blue
25	*50222	Stirrup - Nickel
26	1924	Stirrup Pivot Pin - Blue
26	50223	Stirrup Pivot Pin - Nickel
27	1914	Stirrup Plunger
28	1904	Stirrup Roller
29	1928	Stirrup Plunger Spring
30	1969	Striker
31	1905	Striker Pivot Pin
32	1934	Striker Spring
33	1925	Striker Spring Retaining Pin
34	1940	Striker Spring Spacer Washer
35	1918	Trigger - Blue
35	50224	Trigger - Nickel
36	1909	Trigger Pivot Pin
36	1909	Hammer Safety Block Pin
37	1935	Trigger Spring
38	1942	Hammer Safety Block

N.I. Not illustrated