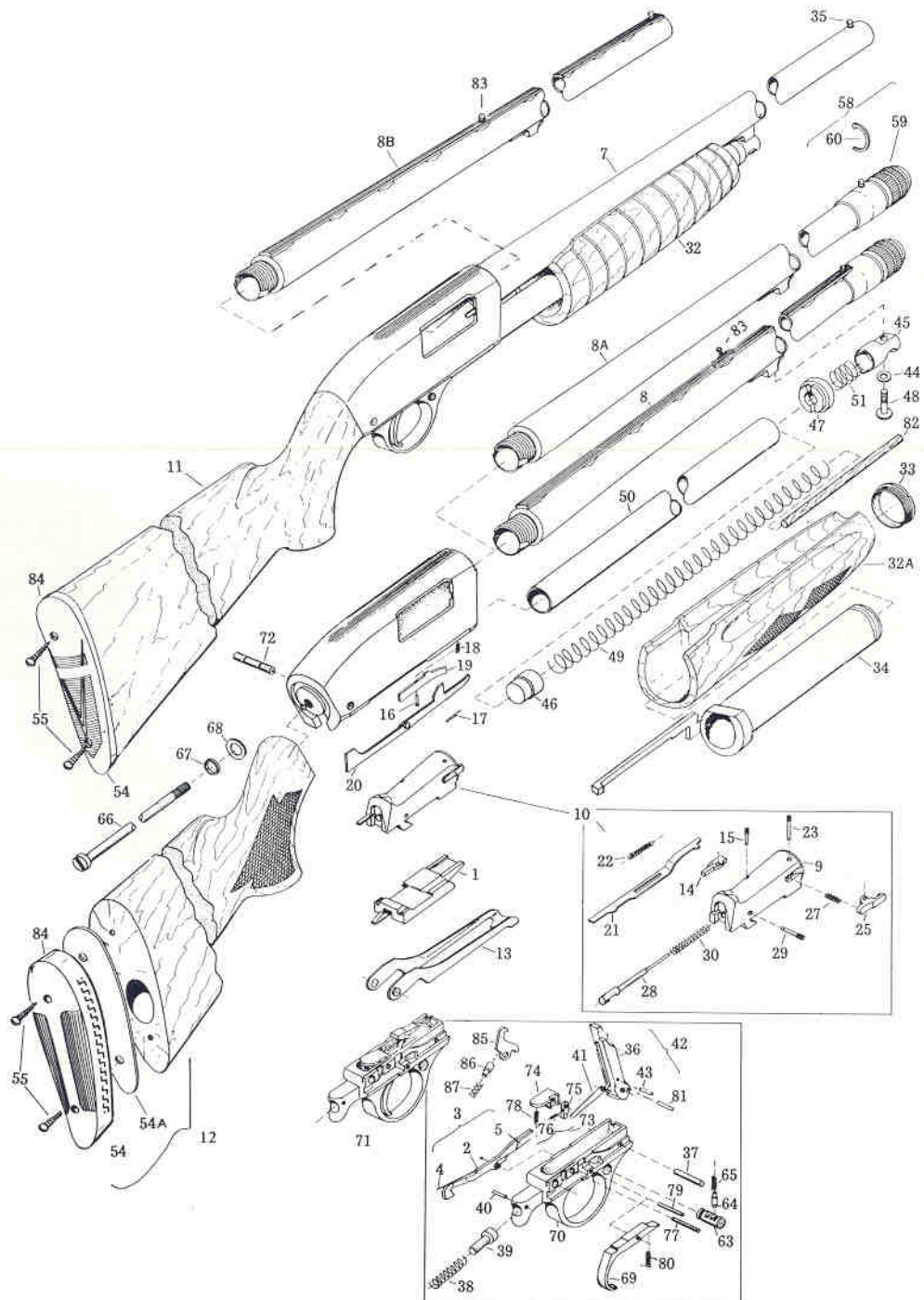


HIGH STANDARD SPORTING FIREARMS • 1817 DIXWELL AVENUE, HAMDEN, CONNECTICUT 06514

A DIVISION OF THE LEISURE GROUP, INC.

PARTS BREAKDOWN

FLITE KING and RIOT MODELS
12 GA. PUMP ACTION SHOTGUN



PARTS LIST FOR
FLITE KING and RIOT MODELS
12 GA. PUMP ACTION SHOTGUN

REF. NO.	PART NO.	PART NAME	REF. NO.	PART NO.	PART NAME
1	††20520	Action Slide	38	50261	Hammer Spring
2	20541	Action Slide Release Lever	39	639	Hammer Spring Guide
3	2942	Action Slide Release Lever Assembly	40	135	Hammer Spring Retaining Pin
81	2933	Action Slide Release Lever Oper. Pin	41	136	Hammer Strut
5	2932	Action Slide Release Lever Spring, Front	43	137	Hammer Strut Pin
4	120	Action Slide Release Lever Spring, Rear	42	†† 2946	Hammer & Strut Assembly
7	†† 2902	Barrel, 20" (Cyl. Bore) Plain, for 6-Shot Riot	47	2385	Magazine Cap
7	†† 2903	Barrel 18 1/8" (Cyl. Bore) Plain, for 7-Shot Riot	51	2389	Magazine Cap Spring
N.I.	†† 2904	Barrel 18 1/8" (Cyl. Bore) w/Rifle Sight Ramps, for 7-Shot Riot	45	2381	Magazine Cap Support
N.I.	†† 2905	Barrel 20" (Cyl. Bore) w/Rifle Sight Ramps, Brush	48	2176	Magazine Cap Screw
7	†† 2915	Barrel, 28" (Full Choke) Plain	44	20542	Magazine Cap Screw Lock Washer
7	†† 2907	Barrel, 28" (Mod. Choke) Plain	46	20642	Magazine Follower
7	†† 2916	Barrel, 26" (Imp. Cyl. Choke) Plain	49	145	Magazine Spring (for all 6-Shot Models)
7	†† 2914	Barrel, 30" (Full Choke) Plain	49	2178	Magazine Spring (for 7-Shot Riot)
8B	††53486	Barrel, 26" (Imp. Cyl. Choke) w/Rib	50	53537	Magazine Tube (for all 6-Shot Models)
8B	††53487	Barrel, 30" (Full Choke) w/Rib	50	53607	Magazine Tube (for 7-Shot Riot)
8B	††53488	Barrel, 28" (Full Choke) w/Rib	N.I.	401	Pistol Grip Cap
8B	††53489	Barrel, 28" (Mod. Choke) w/Rib	N.I.	403	Pistol Grip Cap Screw
8B	††53490	Barrel, 30" (Full Choke) w/Rib, Trap	84	6752	Recoil Pad (All except Skeet)
8A	†† 2911	Barrel, 27" (Adj. Choke) Plain	55	152	Recoil Pad Screws (2) ea.
8	††53491	Barrel, 27" (Adj. Choke) w/Rib	83	53613	Rear Bead Sight (Ribbed Models)
8B	†† 2909	Barrel, 26" (Skeet Choke) w/Rib, Skeet	N.I.	2168	Rear Sight Base Filler
9	††20531	Bolt (All except Riot)	N.I.	2015	Rear Rifle Sight, (Riot and Brush)
9	††20530	Bolt (Riot)	N.I.	2013	Rear Sight Elevator (Riot and Brush)
10	††20533	Bolt Assy. (All except Riot)	N.I.	2190	Receiver Sight (Wms.) Brush Mod. K-120
10	††20532	Bolt Assy. (Riot)	N.I.	568	Receiver Sight Filler Screws (2) ea.
54	620	Butt Plate	63	153-1	Safety Button, R.H.
55	152	Butt Plate Screws (2) Ea.	N.I.	191-1	Safety Button, L.H.
54A	2016	Butt Plate Trim	64	4044	Safety Plunger
13	107	Carrier Assy. (All except Riot)	65	360	Safety Plunger Spring
13	727	Carrier Assy. (Riot)	N.I.	2189	Sling (Carrying) (Brush)
14	108	Carrier Operating Cam	11	53541	Stock Assembly (Plain w/Butt Plate) (Riot)
15	11125	Carrier Operating Cam Retaining Pin	N.I.	2336	Stock Assembly (w/Checkering, Butt Plate & Trim) (Skeet)
18	199	Cartridge Stop Spring	12	2340	Stock Assembly (w/Checkering, Recoil Pad & Trim) (Deluxe)
19	192	Cartridge Stop, L.H.	N.I.	2337	Stock Assembly (w/Checkering, Recoil Pad & Trim) (Trap)
20	111	Cartridge Stop, R.H. Assy.	N.I.	2326	Stock Assembly (w/Checkering, Recoil Pad & Trim) (Brush)
16	50209	Cartridge Stop Pin	N.I.	2338	Stock Assembly (w/Checkering, Recoil Pad, Trim, Rr. Swivel) (Brush)
17	50205	Cartridge Stop Pin Retaining Clip	66	666	Stock Bolt
58	†† 8768	Choke Assy. (Deluxe) Mod. K-121	67	667	Stock Bolt Lockwasher
59	766	Choke Cap Mod. K-121	69	668	Stock Bolt Washer
60	11628	Choke Click Spring Mod. K-121	N.I.	2166	Front Swivel Assembly (Deluxe, Brush)
21	20525	Exjector (Comb. Extractor - Ejector)	N.I.	2167	Rear Swivel Assembly (Deluxe, Brush)
22	53413	Exjector Spring	N.I.	2179	Rear Swivel Hole Filler Sxrew
25	755	Extractor, R.H.	69	†† 2388	Trigger
23	124	Extractor Hinge Pin	70	2993	Trigger Guard (Riot)
27	50298	Extractor Spring, R.H.	70	2994	Trigger Guard (All except Riot)
85	†† 2287	Escapement Hook	71	2995	Trigger Guard Assembly (Riot)
87	2268	Escapement Hook Spring	71	2996	Trigger Guard Assembly (All except Riot)†
86	2291	Escapement Hook Spring Plunger	72	6719	Trigger Guard Retaining Pin
28	773	Firing Pin	73	160	Trigger Guard Retaining Pin Spring
29	124	Firing Pin Retaining Pin	74	†† 161	Trigger Lock
30	125	Firing Pin Spring	75	†† 2962	Trigger Lock Pawl
32	53538	Forehand Operating Handle (Riot)	76	163	Trigger Lock Pawl Spring
32A	2320	Forehand Operating Handle (All except Riot)	77	164	Trigger Lock Pin
33	128	Forehand Operating Sleeve Front Nut	78	165	Trigger Lock Spring
34	6707	Forehand Operating Tube Assembly	79	166	Trigger Pin
35	130	Front Bead Sight	80	53615	Trigger Spring
N.I.	53849	Front Bead Sight (Ribbed Models)	82	180	Wood Plug 8"
N.I.	502	Front Blade Sight (R.S. Riot & Brush)	N.I.	283	Wood Plug 10 1/2"
36	†† 2296	Hammer			
37	132	Hammer Hinge Pin			

RECEIVER NOT SOLD. IF THIS PART IS REQUIRED THE COMPLETE FIREARM IS TO BE RETURNED TO THE FACTORY.

N.I. - Not illustrated.

†† Requires factory fitting.