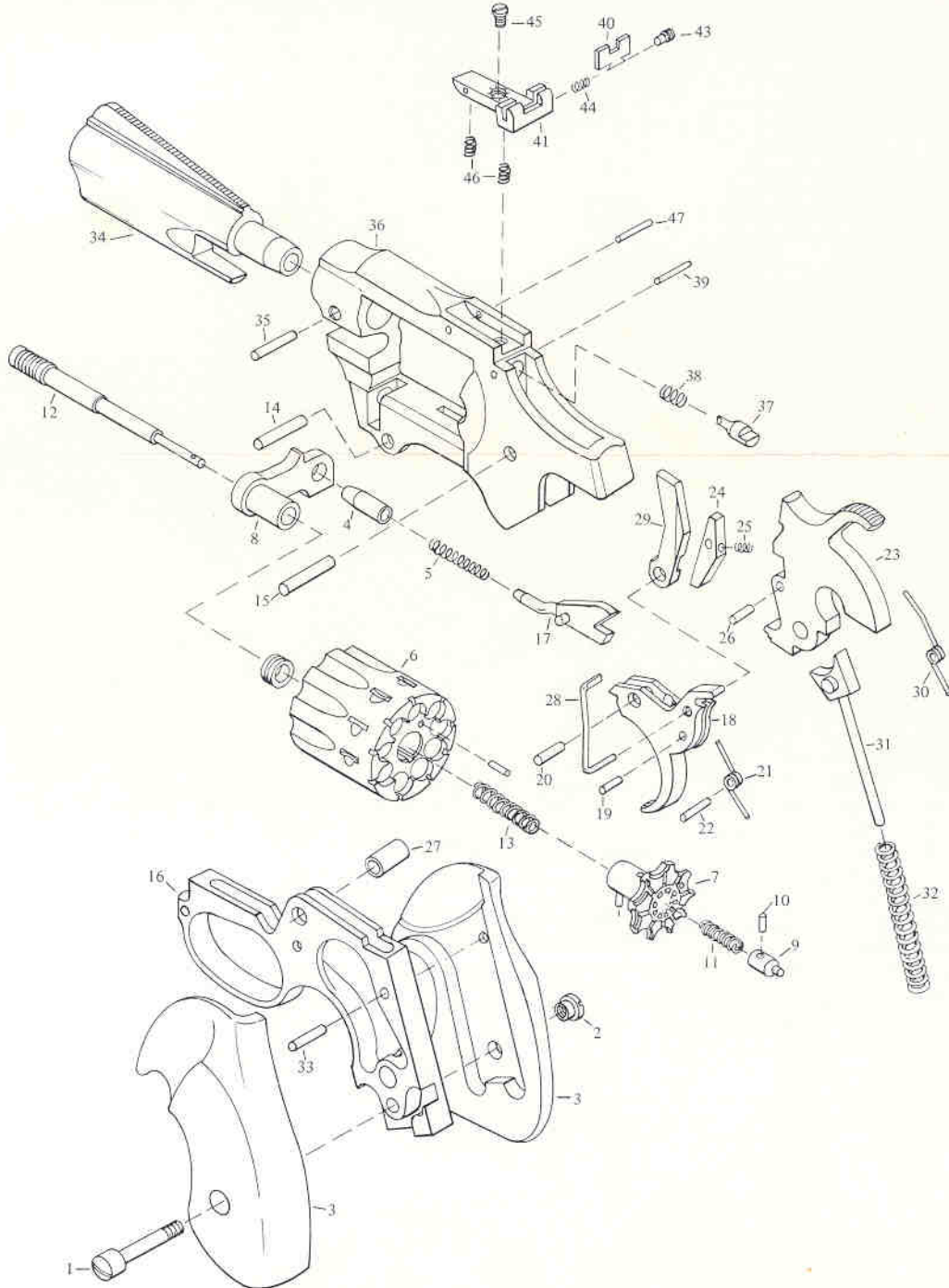


HIGH STANDARD SPORTING FIREARMS • 1817 DIXWELL AVENUE, HAMDEN, CONNECTICUT 06514

A DIVISION OF THE LEISURE GROUP, INC.

PARTS BREAKDOWN

MARK I SENTINEL / MARK IV SENTINEL
.22 LR AND .22 MAGNUM



PARTS LIST FOR

MARK I SENTINEL / MARK IV SENTINEL .22 LR AND .22 MAGNUM

| REF. NO. | PART NO. | PART NAME | REF. NO. | PART NO. | PART NAME |
|----------|----------|---|----------|----------|---|
| 1 | 7313 | Grip Screw | 27 | 7182 | Hammer Sleeve |
| 2 | 7301 | Escutcheon Nut | 28 | 7134 | Hammer Safety Stop |
| 3 | 53015 | Grips (Matched Pair) | 29 | 7574 | Hand |
| 4 | 7140 | Link Pivot Pin | 30 | 7181 | Hand Spring |
| 5 | 7158 | Cylinder Stop Spring | 31 | 7645 | Hammer Spring Guide Assembly (Includes: Hammer Spring Guide, and Rivet) |
| 6 | 53017 | Cylinder Assembly, Blue, .22 LR, (not sold separately) | 32 | 7135 | Hammer Spring, .22 LR |
| | 53076 | Cylinder Assembly, Nickel, .22 LR, (not sold separately) | | 53101 | Hammer Spring, .22 Mag. |
| | 53027 | Cylinder Assembly, Blue, .22 Mag., (not sold separately) | 33 | 7540 | Grip Alignment Pin |
| | 53077 | Cylinder Assembly, Nickel, .22 Mag., (not sold separately) | 34 | 53006 | Barrel, Blue, .22 LR, 2", Fixed Sight |
| | 53016 | Cylinder and Ejector Assembly, Blue, .22 LR Includes: Cylinder, Cyl. Ejection Alignment Pin, Cyl. Bushing, and Ejector | | 53036 | Barrel, Nickel, .22 LR, 2", Fixed Sight |
| | 53074 | Cylinder and Ejector Assembly, Nickel, .22 LR | | 53007 | Barrel, Blue, .22 LR, 3", Fixed Sight |
| | 53026 | Cylinder and Ejector Assembly, Blue, .22 Mag. | | 53039 | Barrel, Nickel, .22 LR, 3", Fixed Sight |
| | 53075 | Cylinder and Ejector Assembly, Nickel, .22 Mag. | | 53008 | Barrel, Blue, .22 LR, 4", Fixed Sight |
| 7 | 7580 | Ejector (not sold separately) | | 53045 | Barrel, Nickel, .22 LR, 4", Fixed Sights |
| 8 | 53022 | Crane Assembly, Blue, (Includes: Crane Link, Crane Link Bearing) | | 53010 | Barrel, Blue, .22 LR, 3", Adj. Sights |
| | 53073 | Crane Assembly, Nickel | | 53042 | Barrel, Nickel, .22 LR, 3", Adj. Sights |
| 9 | 7575 | Cylinder Lock Plunger | | 53011 | Barrel, Blue, .22 LR, 4", Adj. Sights |
| 10 | 7112 | Cylinder Lock Plunger Pin | | 53048 | Barrel, Nickel, .22 LR, 4", Adj. Sights |
| 11 | 7513 | Cylinder Lock Plunger Spring | | 53035 | Barrel, Blue, .22 Mag., 2", Fixed Sights |
| 12 | 53004 | Ejector Rod, Blue | | 53037 | Barrel, Nickel, .22 Mag., 2", Fixed Sights |
| | 53071 | Ejector Rod, Nickel | | 53038 | Barrel, Blue, .22 Mag., 3", Fixed Sights |
| 13 | 51825 | Ejector Rod Return Spring | | 53040 | Barrel, Nickel, .22 Mag., 3", Fixed Sights |
| 14 | 7540 | Trigger Guard Assembly Pin, Blue | | 53044 | Barrel, Blue, .22 Mag., 4", Fixed Sights |
| | 7440 | Trigger Guard Assembly Pin, Nickel | | 53046 | Barrel, Nickel, .22 Mag., 4", Fixed Sights |
| 15 | 7540 | Hammer Pivot Pin, Blue | 35 | 53041 | Barrel, Blue, .22 Mag., 3", Adj. Sights |
| | 7440 | Hammer Pivot Pin, Nickel | 36 | 53043 | Barrel, Nickel, .22 Mag., 3", Adj. Sights |
| 16 | 53014 | Trigger Guard, Blue | | 53047 | Barrel, Blue, .22 Mag., 4", Adj. Sights |
| | 53053 | Trigger Guard, Nickel | | 53049 | Barrel, Nickel, .22 Mag., 4", Adj. Sights |
| 17 | 7162 | Cylinder Stop Assembly (Includes: Cylinder Stop, and Cylinder Stop Cross Pin) | | 53019 | Barrel Retention Pin, Blue |
| | | | 37 | 53052 | Barrel Retention Pin, Nickel |
| 18 | 7627 | Trigger | | 53001 | Frame, Blue, Fixed Sight (Not Sold) |
| 19 | 7130 | Trigger Spring Contact Pin | 38 | 53050 | Frame, Nickel, Fixed Sight (Not Sold) |
| 20 | 7149 | Trigger Pivot Pin | 39 | 53002 | Frame, Blue, Adj. Sight (Not Sold) |
| 21 | 7270 | Trigger Spring | | 53051 | Frame, Nickel, Adj. Sight (Not Sold) |
| 22 | 7149 | Trigger Spring Returning Pin | 40 | 51892 | Firing Pin |
| 23 | 53012 | Hammer, Fixed Sight Model | 41 | 51889 | Firing Pin Spring |
| | 53080 | Hammer, Adj. Sight Model | 43 | 52892 | Firing Pin Retention Pin |
| 24 | 7129 | Hammer Pawl | 44 | 52897 | Rear Sight Assembly, Adjustable |
| 25 | 7131 | Hammer Pawl Spring | 45 | 52882 | Rear Sight Blade |
| 26 | 7130 | Hammer Pawl Pin | 46 | 52896 | Rear Sight Base (Includes Detent Ball) |
| | | | 47 | 52893 | Windage Screw |
| | | | | 52894 | Windage Spring |
| | | | | 52889 | Elevation Screw |
| | | | | 52888 | Elevation Spring (2) |
| | | | | 52892 | Rear Sight Pin |