

PARTS LIST FOR  
**J. C. HIGGINS  
BOLT ACTION  
MODEL 10 SHOTGUN**

—MODEL NUMBERS—

583.1	583.4	583.7	583.10
583.2	583.5	583.8	583.11
583.3	583.6	583.9	583.12

One of these numbers is the Model Number of your Bolt Action Shotgun. It will be found on the left side of barrel, just forward of receiver. Always mention this Model Number when communicating with us regarding the Bolt Action Shotgun or when ordering parts.

—Ordering Information for—  
Retail and Mail Order Stores

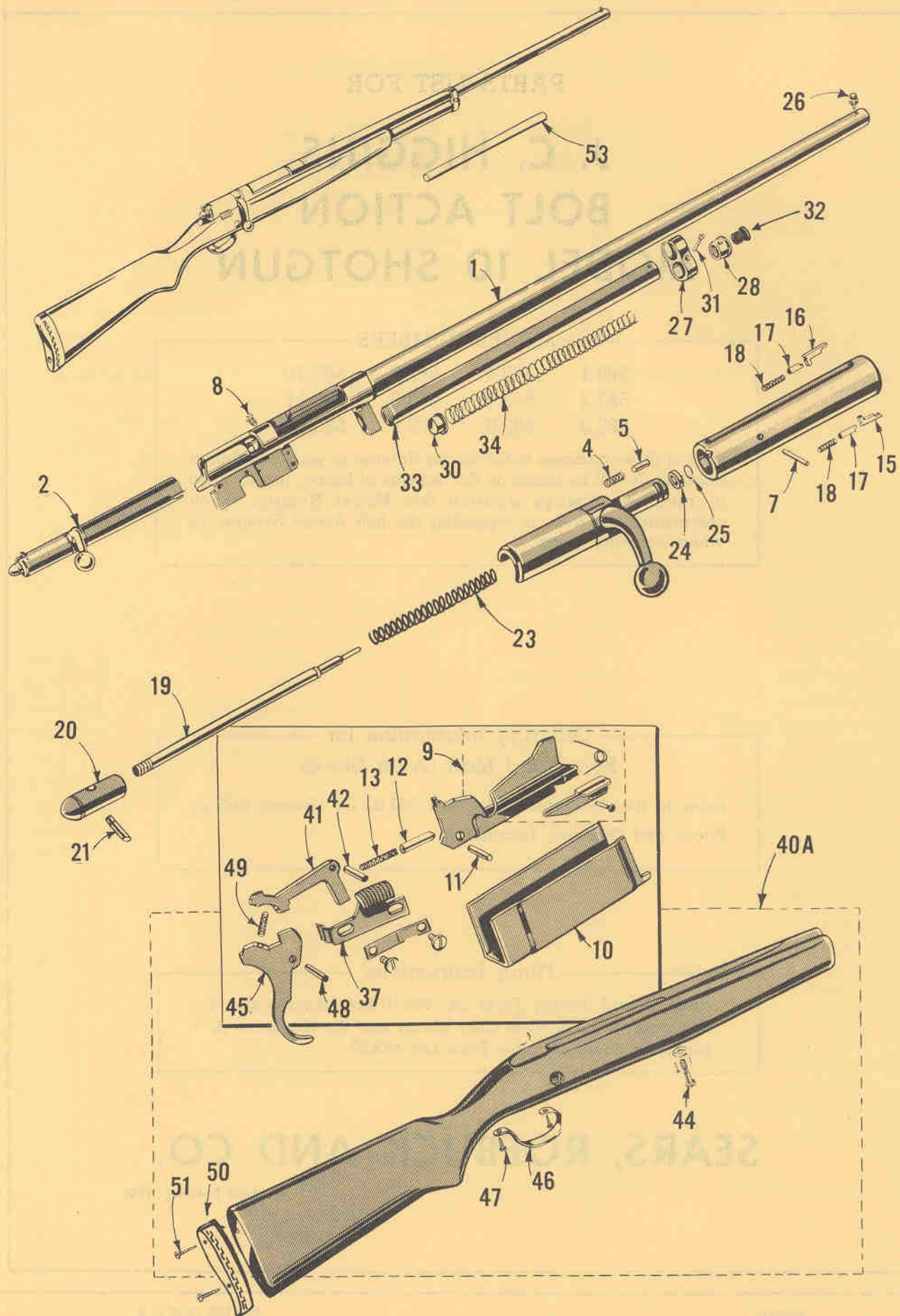
Refer to the Authorized Price List 583.00 for Current Selling Prices and Ordering Information.

—Filing Instructions—

Remove and destroy Parts List 583.10 from the Division 6 Standard Nomenclature Grey Binder and file this list in its place, immediately after Price List 583.00.

**SEARS, ROEBUCK AND CO.**

Revised January, 1954



✓ = stocked

LIST of PARTS and ASSEMBLIES for

# J. C. HIGGINS MODEL 10 BOLT ACTION SHOTGUN

When ordering parts and/or assemblies, please specify Model and Model Number of the gun (i.e. MODEL 10, 583.1 or later) stamped on the barrel of each gun.

All parts identified with an asterisk (\*) must be fitted to the gun by gunsmiths in the Sears mail order houses, or by qualified gunsmiths. *Because some of the parts on the various model guns have been superseded by new parts, please make sure to check the full model number of your gun before ordering any part.*

REF. NO.	PART NO.	PART NAME	MODEL NO.
1	R1	Barrel (specify choke desired)	583.1 thru 583.12
2	14M	Bolt Assembly	583.1 thru 583.12
5	43	Bolt Handle Aligning Plunger	583.1 thru 583.12
4	30	Bolt Handle Aligning Plunger Spring	583.1 thru 583.12
7	53	Bolt Head Retaining Pin	583.1 thru 583.12
8	41	Bolt Stop Screw	583.1 thru 583.12
9	R72AMS	Carrier Assembly	583.1 thru 583.12
10	R71	Carrier Housing	583.1 thru 583.6
10	R71A	Carrier Housing	583.7 thru 583.12
11	R47	Carrier Pin	583.1 thru 583.12
12	R64	Carrier Plunger	583.1 thru 583.6
12	R64A	Carrier Plunger	583.7 thru 583.12
13	R32	Carrier Plunger Spring	583.1 thru 583.12
15	6	Extractor, R.H.	583.1 thru 583.12
16	7	Extractor, L.H.	583.1 thru 583.12
17	61	Extractor Plunger	583.1 thru 583.12
18	31	Extractor Spring	583.1 thru 583.12
19	57	Firing Pin	583.1 thru 583.12
20	59	Firing Pin Head	583.1 thru 583.12
21	60	Firing Pin Head Cross Pin	583.1 thru 583.12
23	33	Firing Pin Spring	583.1 thru 583.12
24	45	Firing Pin Spring Retaining Sleeve	583.1 thru 583.12
25	34	Firing Pin Spring Retaining Sleeve Stop Ring	583.1 thru 583.12
26	40	Front Sight	583.1 thru 583.12
27	R5	Magazine Band, Front	583.1 thru 583.3
27	R5A	Magazine Band, Front	583.4 thru 583.12
28	R65	Magazine Cap, and	583.1 thru 583.3
	R49A	Magazine Cap Locking Screw	583.1 thru 583.3
28	R65A	Magazine Cap	583.4 thru 583.12

REF. NO.	PART NO.	PART NAME	MODEL NO.
30	R75	Magazine Follower	583.1 thru 583.3
30	R75A	Magazine Follower	583.4, 5, 6, 10
30	R75B	Magazine Follower	583.7, 8, 9, 11, 12
31	R50	Magazine Front Band Binding Screw	583.1 thru 583.12
32	R82	Magazine Plug Filler Screw	583.4 thru 583.12
34	R37	Magazine Spring	583.1 thru 583.12
33	R9	Magazine Tube	583.1 thru 583.3
33	R9A	Magazine Tube	583.4 thru 583.12
50	241M	Recoil Pad Assembly	583.1 thru 583.12
51	242	Recoil Pad Screw	583.1 thru 583.12
37	18	Safety	583.1 thru 583.12
	42	Safety Guide Pin	583.1 thru 583.12
	44	Safety Stop Plunger	583.1 thru 583.12
	38	Safety Stop Plunger Spring	583.1 thru 583.12
41	17	Sear	583.1 thru 583.6
41	17A	Sear	583.7 thru 583.12
42	55	Sear Pin	583.1 thru 583.12
40A	R8M	Stock	583.1 thru 583.3
40A	R8A-M	Stock	583.4 thru 583.12
44	52	Takedown Screw	583.1 thru 583.3
44	52A	Takedown Screw	583.4 thru 583.12
45	16	Trigger	583.1 thru 583.12
46	70	Trigger Guard	583.1 thru 583.12
47	46	Trigger Guard Screw	583.1 thru 583.12
48	54	Trigger Pin	583.1 thru 583.12
49	39	Trigger Spring	583.1 thru 583.12
53	R10	Wood Plug	583.1 thru 583.12