

PARTS LIST FOR
**J. C. HIGGINS
BOLT ACTION
MODEL 10 SHOTGUN**

—MODEL NUMBERS—

583.13 583.14 583.15 583.16 583.17
583.18 583.19 583.20 583.21 583.22

One of these numbers is the Model Number of your Bolt Action Shotgun. It will be found on the left side of barrel, just forward of receiver. Always mention this Model Number when communicating with us regarding the Bolt Action Shotgun or when ordering parts.

—Ordering Information for—
Retail and Mail Order Stores

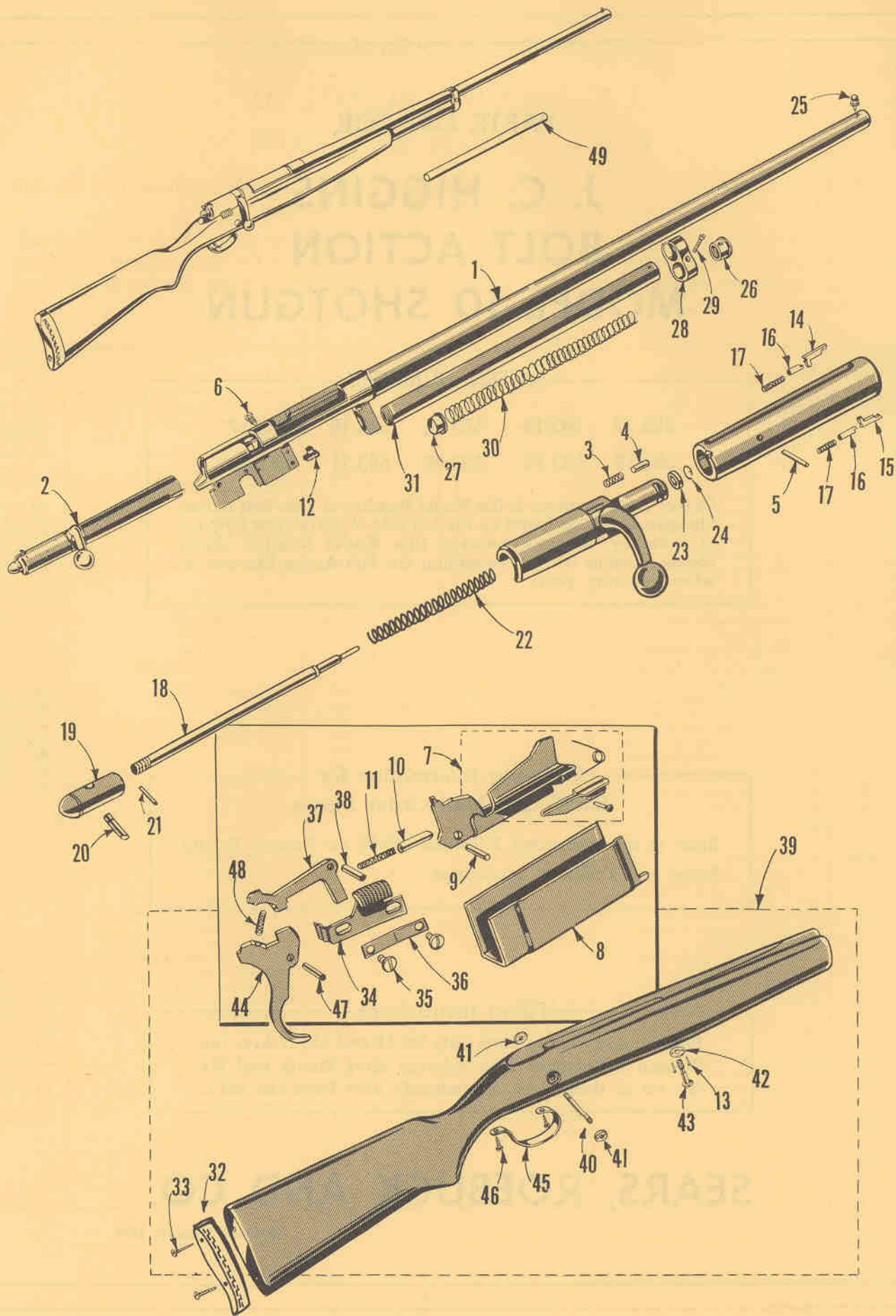
Refer to the Authorized Price List 583.00 for Current Selling Prices and Ordering Information.

—Filing Instructions—

Remove and destroy Parts Lists 583.14 and 583.17 from the Division 6 Standard Nomenclature Grey Binder and file this list in their place, immediately after Parts List 583.1.

SEARS, ROEBUCK AND CO.

Revised January, 1954



✓ = stocked

LIST of PARTS and ASSEMBLIES for

J. C. HIGGINS MODEL 10 BOLT ACTION SHOTGUN

When ordering parts and/or assemblies, please specify Model and Model Number of the gun (i.e. MODEL 10, 583.14 or later) stamped on the barrel of each gun.

All parts identified with an asterisk (*) must be fitted to the gun by gunsmiths in the Sears mail order houses, or by qualified gunsmiths. Because some of the parts on the various model guns have been superseded by new parts, please make sure to check the full model number of your gun before ordering any part.

REF. NO.	PART NO.	PART NAME	MODEL NO.	REF. NO.	PART NO.	PART NAME	MODEL NO.
1	200	Barrel (specify choke desired)	583.13 thru 583.22	20	225	Firing Pin Head Cross Pin	583.13 thru 583.22
2	201M	Bolt Body and Bolt Head Assembly (Composed of 201 Bolt Body 202 Bolt Handle 223 Firing Pin 224 Firing Pin Head 225 Firing Pin Head Cross Pin 226 Firing Pin Head Lock Pin 227 Firing Pin Spring 228 Firing Pin Spring Retaining Sleeve 229 Firing Pin Spring Retaining Sleeve Stop Ring 203 Bolt Handle Aligning Plunger 204 Bolt Handle Aligning Plunger Spring 210MA Bolt Head and Stud Assembly 219 Extractor, Right Hand 220 Extractor, Left Hand 221 Extractor Plunger 222 Extractor Spring 206 Bolt Head Retaining Pin)	583.13 thru 583.22	21	226	Firing Pin Head Lock Pin	583.13 thru 583.22
3	204 ✓	Bolt Handle Aligning Plunger Spring	583.13 thru 583.22	22	227 ✓	Firing Pin Spring	583.13 thru 583.22
4	203 ✓	Bolt Handle Aligning Plunger	583.13 thru 583.22	23	228	Firing Pin Spring Retaining Sleeve	583.13 thru 583.22
5	206	Bolt Head Retaining Pin	583.13 thru 583.22	24	229	Firing Pin Spring Retaining Sleeve Stop Ring	583.13 thru 583.22
6	207 ✓	Bolt Stop Screw	583.13 thru 583.22	25	230	Front Sight	583.13 thru 583.22
7	208M	Carrier Assembly (Composed of: 208MA Carrier & Trunnion Assembly 215 Cartridge Stop Pin 217 Combination Cartridge Stop Spring 216 Combination Cartridge Stop and Lifter)	583.13 thru 583.22	26	232	Magazine Cap	583.13 thru 583.22
8	209	Carrier Housing	583.13 thru 583.22	27	233	Magazine Follower	583.13 thru 583.22
9	211	Carrier Pin	583.13 thru 583.22	28	231	Magazine Front Band	583.13 thru 583.22
10	212	Carrier Plunger	583.13 thru 583.22	29	234 ✓	Magazine Front Band Binding Screw	583.13 thru 583.22
11	213	Carrier Plunger Spring	583.13 thru 583.22	30	236	Magazine Spring	583.13 thru 583.22
12	218	Ejector	583.13 thru 583.22	31	238	Magazine Tube	583.13 thru 583.22
14	220 ✓	Extractor, Left Hand	583.13 thru 583.22	32	241M	Recoil Pad Assembly (Composed of: 241 Recoil Pad 258 Recoil Pad Insert)	583.13 thru 583.22
15	219 ✓	Extractor, Right Hand	583.13 thru 583.22	33	242	Recoil Pad Screw	583.13 thru 583.22
16	221 ✓	Extractor Plunger	583.13 thru 583.22	34	243	Safety	583.13 thru 583.22
17	222 ✓	Extractor Spring	583.13 thru 583.22	35	244	Safety Screw	583.13 thru 583.22
18	223 ✓	Firing Pin	583.13 thru 583.22	36	245	Safety Spring	583.13 thru 583.22
19	224	Firing Pin Head	583.13 thru 583.22	37	246	Sear	583.13 thru 583.22
				38	247	Sear Pin	583.13 thru 583.22
				39	248M	Stock Assembly (Composed of: 241M Recoil Pad Assembly 242 Recoil Pad Screw 248 Stock 249 Takedown Escutcheon 256 Takedown Escutcheon Pin 252 Trigger Guard 253 Trigger Guard Screw 250 Takedown Screw 260 Stock Binding Stud 261 Stock Binding Stud Nut)	583.13 thru 583.22
				40	260	Stock Binding Stud	583.14 thru 583.22
				41	261	Stock Binding Stud Nut	583.14 thru 583.22
				42	249	Takedown Escutcheon	583.13 thru 583.22
				43	250 ✓	Takedown Screw	583.13 thru 583.22
				13	256	Takedown Escutcheon Pin	583.13 thru 583.22
				44	251	Trigger	583.13 thru 583.22
				45	252	Trigger Guard	583.13 thru 583.22
				46	253	Trigger Guard Screw	583.13 thru 583.22
				47	254	Trigger Pin	583.13 thru 583.22
				48	255 ✓	Trigger Spring	583.13 thru 583.22
				49	180	Wood Plug - 8"	583.13 thru 583.22