

PARTS LIST FOR
J. C. HIGGINS
MODEL 11 SHOTGUN
BOLT ACTION

MODEL NUMBER

583.1101

This number is the Model Number of your Model 11 Bolt Action Shotgun. It will be found on the left side of barrel, just forward of receiver. Always mention this Model Number when communicating with us regarding the Model 11 Bolt Action Shotgun or when ordering parts.

PRICE LIST REFERENCE

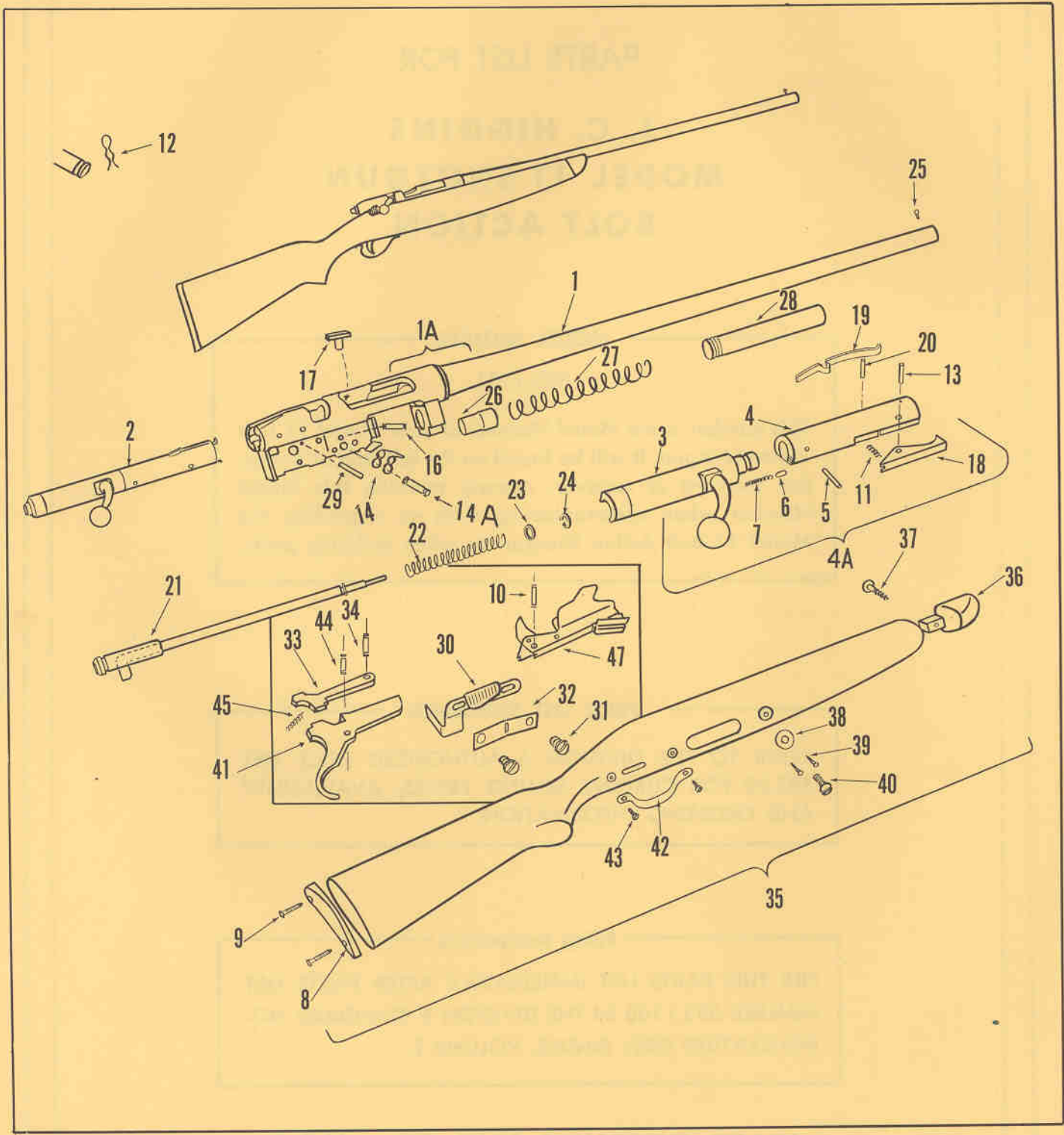
REFER TO THE DIVISION 6 AUTHORIZED PRICE LIST 583.00 FOR CURRENT SELLING PRICES, AVAILABILITY AND ORDERING INFORMATION.

Filing Instructions

FILE THIS PARTS LIST IMMEDIATELY AFTER PARTS LIST NUMBER 583.1100 IN THE DIVISION 6 STANDARD NOMENCLATURE GREY BINDER, VOLUME 2.

SEARS, ROEBUCK AND CO.—U.S.A.
IN CANADA: SIMPSONS-SEARS, LIMITED

July, 1958



PARTS LIST FOR

J. C. HIGGINS MODEL 11 BOLT ACTION SHOTGUN

MODEL NO. 583.1101

WHEN ORDERING REPAIR PARTS, ALWAYS GIVE THE FOLLOWING INFORMATION AS SHOWN IN THIS LIST:

1. THE PART NUMBER.
2. THE PART NAME.
3. THE MODEL NUMBER.
4. THE NAME OF ITEM.

All parts identified with a dagger (†) must be fitted to the gun by gunsmiths in Sears gunshops, or by qualified gunsmiths. Do not order repair parts by key number, always use the part number.

REF. NO.	PART NO.	PART NAME	REF. NO.	PART NO.	PART NAME
1	11000	†Barrel—(12 Ga.)	23	11325	Firing Pin Spring Ret. Sleeve—(All Ga.)
1	11010	†Barrel—(16 Ga.)			
1	11020	†Barrel—(20 Ga.)	24	11330	Firing Pin Spring Ret. Sleeve Stop Ring—(All Ga.)
1A	11851	†Barrel & Receiver Assy.—(12 Ga.)	25	130	Front Sight—(All Ga.)
1A	11856	†Barrel & Receiver Assy.—(16 Ga.)	26	11360	Magazine Follower—(12 Ga.)
1A	11858	†Barrel & Receiver Assy.—(20 Ga.)	26	11364	Magazine Follower—(16 Ga.)
2	11861	Bolt Body & Bolt Head Assy.—(12 Ga.)	26	11367	Magazine Follower—(20 Ga.)
2	11866	Bolt Body & Bolt Head Assy.—(16 Ga.)	27	11370	Magazine Spring—(12 & 16 Ga.)
2	11868	Bolt Body & Bolt Head Assy.—(20 Ga.)	27	11375	Magazine Spring—(20 Ga.)
3	11870	Bolt Handle & Bolt Body Assy.—(12 Ga.)	28	11975	Magazine Tube Assy.—(12 Ga.)
3	11875	Bolt Handle & Bolt Body Assy.—(16 Ga.)	28	11977	Magazine Tube Assy.—(16 Ga.)
3	11878	Bolt Handle & Bolt Body Assy.—(20 Ga.)	28	11979	Magazine Tube Assy.—(20 Ga.)
4	11091	†Bolt Head—(12 Ga.)	29	11566	Sear Stop Pin—(All Ga.)
4	11101	†Bolt Head—(16 Ga.)	30	11421	Safety—(12 & 16 Ga.)
4	11110	†Bolt Head—(20 Ga.)	30	11425	Safety—(20 Ga.)
5	124	Bolt Head Ret. Pin—(12 Ga.)	31	11430	Safety Screw—(All Ga.)
5	11125	Bolt Head Ret. Pin—(16 & 20 Ga.)	32	11435	Safety Spring—(All Ga.)
6	11151	Bolt Head Detent—(All Ga.)	33	11441	Sear—(All Ga.)
7	11156	Bolt Head Detent Spring—(All Ga.)	34	11451	Sear Pin—(All Ga.)
8	620	Butt Plate—(All Ga.)	35	11921	Stock Assy.—(12 Ga.)
9	345	Butt Plate Screws—(All Ga.)	35	11926	Stock Assy.—(16 Ga.)
10	11201	Cartridge Lifter Pin—(All Ga.)	35	11928	Stock Assy.—(20 Ga.)
11	11275	Extractor Spring, R.H.—(All Ga.)	36	11480	Stock Cap—(12 Ga.)
12	11580	Pin Retaining Spring—(All Ga.)	36	11484	Stock Cap—(16 Ga.)
13	11290	Extractor Ret Pin, R.H.—(All Ga.)	36	11487	Stock Cap—(20 Ga.)
14	11211	Cartridge Lifter Spring—(All Ga.)	37	11490	Stock Cap Screw—(All Ga.)
14A	11201	Cartridge Lifter Spring Pin—(All Ga.)	38	11500	Takedown Escutcheon—(All Ga.)
16	11201	Cartridge Lifter Stop Pin—(All Ga.)	39	11505	Takedown Escutcheon Pin—(All Ga.)
17	11251	Ejector—(All Ga.)	40	11510	Takedown Screw—(All Ga.)
18	11271	Extractor, R.H.—(All Ga.)	41	11521	Trigger—(All Ga.)
19	11280	Extractor, L.H.—(All Ga.)	42	11530	Trigger Guard—(All Ga.)
20	11296	Extractor Ret. Pin, L.H.—(All Ga.)	43	11535	Trigger Guard Screw—(All Ga.)
21	11900	Firing Pin Assy.—(All Ga.)	44	11541	Trigger Pin—(All Ga.)
22	227	Firing Pin Spring—(All Ga.)	45	11541	Trigger Spring—(All Ga.)
			47	11891	Cartridge Lifter Assy.—(12 Ga.)
			47	11896	Cartridge Lifter Assy.—(16 Ga.)
			47	11898	Cartridge Lifter Assy.—(20 Ga.)
			N.I.	11881	Bolt Head Assy.—(12 Ga.)
			N.I.	11886	Bolt Head Assy.—(16 Ga.)
			N.I.	11888	Bolt Head Assy.—(20 Ga.)

Note: N.I. Not Illustrated.