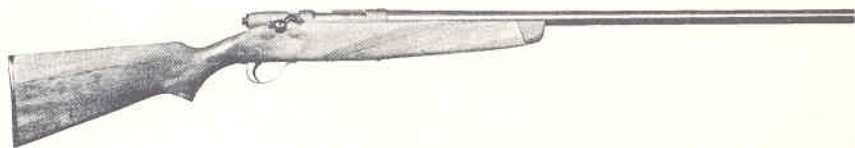


*J. C. Higgins*

**BOLT ACTION  
SHOTGUN  
MODEL 11**

LIST of PARTS and ASSEMBLIES



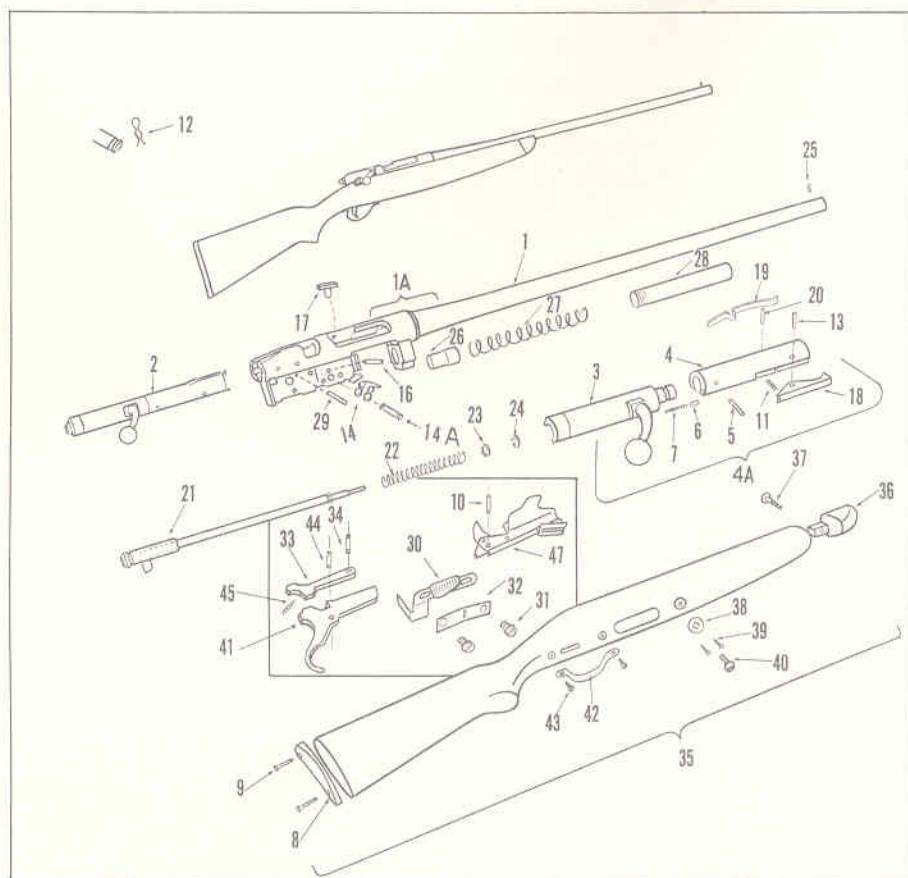
**J. C. Higgins Guns are sold ONLY by Sears, Roebuck and Co.  
and Simpsons-Sears Limited**

Printed in U.S.A.

Parts List 992-58  
7/58

## Parts and Assemblies

583.1101 is the Model Number of your Bolt Action Shotgun. It will be found on the left side of barrel, just forward of receiver. Always mention this Model Number when communicating with us regarding the Bolt Action Shotgun or when ordering parts.



## S P E C I F I C A T I O N S

GAUGE .....	12	16-20
CHOKE .....	Full	Full
	Mod.	Mod.
WEIGHT, LBS. ....	6 $\frac{3}{4}$	6 $\frac{3}{4}$
LENGTH OF PULL, INCHES .....	13 $\frac{3}{4}$	13 $\frac{3}{4}$
DROP AT COMB INCHES .....	1 $\frac{3}{4}$	1 $\frac{3}{4}$
DROP AT HEEL INCHES .....	2 $\frac{7}{16}$	2 $\frac{7}{16}$
BARREL LENGTH INCHES .....	28	26
PITCH .....	2"	2 $\frac{1}{8}$ "

## PARTS LIST FOR

## J. C. HIGGINS MODEL 11 BOLT ACTION SHOTGUN

## MODEL NO. 583.1101

WHEN ORDERING REPAIR PARTS, ALWAYS GIVE THE FOLLOWING INFORMATION AS SHOWN IN THIS LIST:

1. THE PART NUMBER.
2. THE PART NAME.
3. THE MODEL NUMBER.
4. THE NAME OF ITEM.

All parts identified with a dagger (†) must be fitted to the gun by gunsmiths in Sears gunshops, or by qualified gunsmiths. Do not order repair parts by key number, always use the part number.

REF. NO.	PART NO.	PART NAME	REF. NO.	PART NO.	PART NAME
1	11000	†Barrel—(12 Ga.)	23	11325	Firing Pin Spring Ret. Sleeve—(All Ga.)
1	11010	†Barrel—(16 Ga.)			
1	11020	†Barrel—(20 Ga.)	24	11330	Firing Pin Spring Ret. Sleeve Stop Ring—(All Ga.)
1A	11851	†Barrel & Receiver Assy.—(12 Ga.)			
1A	11856	†Barrel & Receiver Assy.—(16 Ga.)	25	130	Front Sight—(All Ga.)
1A	11858	†Barrel & Receiver Assy.—(20 Ga.)	26	11360	Magazine Follower—(12 Ga.)
2	11861	Bolt Body & Bolt Head Assy.—(12 Ga.)	26	11364	Magazine Follower—(16 Ga.)
			26	11367	Magazine Follower—(20 Ga.)
2	11866	Bolt Body & Bolt Head Assy.—(16 Ga.)	27	11370	Magazine Spring—(12 & 16 Ga.)
			27	11375	Magazine Spring—(20 Ga.)
2	11868	Bolt Body & Bolt Head Assy.—(20 Ga.)	28	11975	Magazine Tube Assy.—(12 Ga.)
			28	11977	Magazine Tube Assy.—(16 Ga.)
3	11870	Bolt Handle & Bolt Body Assy.—(12 Ga.)	28	11979	Magazine Tube Assy.—(20 Ga.)
			29	11566	Sear Stop Pin—(All Ga.)
3	11875	Bolt Handle & Bolt Body Assy.—(16 Ga.)	30	11421	Safety—(12 & 16 Ga.)
			30	11425	Safety—(20 Ga.)
3	11878	Bolt Handle & Bolt Body Assy.—(20 Ga.)	31	11430	Safety Screw—(All Ga.)
			32	11435	Safety Spring—(All Ga.)
4	11091	†Bolt Head—(12 Ga.)	33	11441	Sear—(All Ga.)
4	11101	†Bolt Head—(16 Ga.)	34	11451	Sear Pin—(All Ga.)
4	11110	†Bolt Head—(20 Ga.)	35	11921	Stock Assy.—(12 Ga.)
5	124	Bolt Head Ret. Pin—(12 Ga.)	35	11926	Stock Assy.—(16 Ga.)
5	11125	Bolt Head Ret. Pin—(16 & 20 Ga.)	35	11928	Stock Assy.—(20 Ga.)
6	11151	Bolt Head Detent—(All Ga.)	36	11480	Stock Cap—(12 Ga.)
7	11156	Bolt Head Detent Spring—(All Ga.)	36	11484	Stock Cap—(16 Ga.)
8	620	Butt Plate—(All Ga.)	36	11487	Stock Cap—(20 Ga.)
9	345	Butt Plate Screws—(All Ga.)	37	11490	Stock Cap Screw—(All Ga.)
10	11201	Cartridge Lifter Pin—(All Ga.)	38	11500	Takedown Escutcheon—(All Ga.)
11	11275	Extractor Spring, R.H.—(All Ga.)	39	11505	Takedown Escutcheon Pin—(All Ga.)
12	11580	Pin Retaining Spring—(All Ga.)	40	11510	Takedown Screw—(All Ga.)
13	11290	Extractor Ret Pin, R.H.—(All Ga.)	41	11521	Trigger—(All Ga.)
14	11211	Cartridge Lifter Spring—(All Ga.)	42	11530	Trigger Guard—(All Ga.)
14A	11201	Cartridge Lifter Spring Pin—(All Ga.)	43	11535	Trigger Guard Screw—(All Ga.)
			44	11541	Trigger Pin—(All Ga.)
16	11201	Cartridge Lifter Stop Pin—(All Ga.)	45	11541	Trigger Spring—(All Ga.)
17	11251	Ejector—(All Ga.)	47	11891	Cartridge Lifter Assy.—(12 Ga.)
18	11271	Extractor, R.H.—(All Ga.)	47	11896	Cartridge Lifter Assy.—(16 Ga.)
19	11280	Extractor, L.H.—(All Ga.)	47	11898	Cartridge Lifter Assy.—(20 Ga.)
20	11296	Extractor Ret. Pin, L.H.—(All Ga.)	N.I.	11881	Bolt Head Assy.—(12 Ga.)
21	11900	Firing Pin Assy.—(All Ga.)	N.I.	11886	Bolt Head Assy.—(16 Ga.)
22	227	Firing Pin Spring—(All Ga.)	N.I.	11888	Bolt Head Assy.—(20 Ga.)

Note: N.I. Not Illustrated.

# BOLT-ACTION SHOTGUN

This is the lowest priced 3-shot repeater available, yet it has many expensive-gun features! The J. C. Higgins Model 11 is a safe and accurate gun with a fast action bolt. It loads from beneath into a smooth tubular magazine, which means smooth loading with *no* clip to lose!

Anyone would be proud to own a shotgun like the Model 11. This handsome J. C. Higgins model has a beautifully grained one-piece walnut stock, an easy-to-hold pistol grip, and a precision-machined trigger mechanism for a smooth creep-free pull. The receiver is fine alloy steel to withstand high breech pressure. An independent safety slides close to receiver for greatest possible protection. The barrel of high tensile strength steel has been proof-tested to insure safe use even with maximum loads. There is a non-glare metal bead front sight for fast, accurate aiming.

**IMPORTANT:**—Before firing this gun be sure to clean the inside of barrel thoroughly of grease and any obstructions.

## CLEANING & LUBRICATING

Your Model 11 is treated with new siliconized and polarized oil. This exclusive patented process gets down into the pores of the steel and protects against perspiration and other corrosive elements which cause rust. This oil makes J. C. Higgins guns the most rust resistant of any guns you can buy. It gives the best lubrication of any oil tested. And it protects and beautifies stock and forearm.

Exclusive use of J. C. Higgins ammunition practically eliminates any need for barrel cleaning. Should powder residue or any dirt accumulate in the barrel, however, it can be easily removed. Remove the bolt by rotating the bolt handle upwards and then pulling it back. With the heel of the stock resting on the floor, hold the gun barrel near the muzzle with the left hand. Push a brass cleaning brush soaked in solvent through the muzzle end of the barrel, and work it up and down through the entire length of the bore. Follow this by wiping the bore with clean patches until the last one comes out unsoiled. A light protective film of oil may be applied with a patch if desired.

A J. C. Higgins Shotgun Cleaning Kit (available at any Sears' Store or from the catalogue) includes all of these necessary items for easy cleaning of your shotgun. A "once-over-lightly" with a J. C. Higgins Silicone Cloth will completely protect outside surfaces of the gun from any rust due to finger prints or moisture, also.

Periodically, dirt and fouling should be removed from the bolt, extractors, and other operating parts. This should be done with a tooth brush soaked in nitro solvent (included in J. C. Higgins Cleaning Kits). Following this, these parts should be wiped dry and oiled lightly.

## OPERATING INSTRUCTIONS

**TO MAKE GUN SAFE:** Push safety button (right side of receiver) forward until it is directly over "F" on receiver, making "S" fully visible. This movement of safety locks trigger, and gun can not be fired. Always lock this safety when carrying gun loaded.

**TO DISASSEMBLE BOLT FROM RECEIVER:** J. C. Higgins Model 11 is shipped with bolt assembled in receiver. To disassemble bolt from gun, remove stock, push cartridge lifter stop pin out of receiver, (see exploded view for correct pin) and pull down cartridge lifter. The bolt can now be pulled rearward out of receiver.

**TO LOAD MAGAZINE:** Rotate bolt handle upward, then pull bolt handle back until carrier is in upward position. Turn gun upside down. Insert shells into magazine which holds two shells. To load third shell, turn gun to shooting position, insert front end of shell in ejection port and slide forward until it drops into carrier.

**TO LOAD CHAMBER:** With safety button on "safe" position and loaded shell in carrier, push bolt handle forward and lock bolt. Gun is now loaded and ready to fire.

**TO RELEASE SAFETY:** When ready to fire, move safety button to full rear position.

**TO REPEAT:** Rotate bolt handle upward and pull to rear. This extracts fired shell from barrel. Push bolt handle forward and downward, locking bolt. Gun is ready to fire.

**TO ASSEMBLE STOCK:** To assemble stock with action, fit action in stock and push to full rearward position. Tighten take screw in stock into the receiver. To take-down this shotgun, unscrew takedown screw, grasp the barrel, and lift upward disengaging it from the stock.

It is advisable to check this takedown screw after heavy firing to make sure it is always tightly assembled.