

**PARTS LIST FOR**

**J. C. HIGGINS**

**12 GAUGE**

**AUTOMATIC SHOTGUN**

**MODEL 60**

MODEL NUMBER

583.600

This number is the Model Number of your Model 60 Automatic Shotgun. It will be found on the left side of the barrel. Always mention this model number when communicating with us regarding the Model 60 Shotgun or when ordering parts.

How To Order Repair Parts

All parts listed herein may be ordered through any Sears retail or mail order store. In ordering parts by mail from the mail order store which serves the territory in which you live, always be sure to follow instructions below:

WHEN ORDERING REPAIR PARTS ALWAYS GIVE THE FOLLOWING INFORMATION:

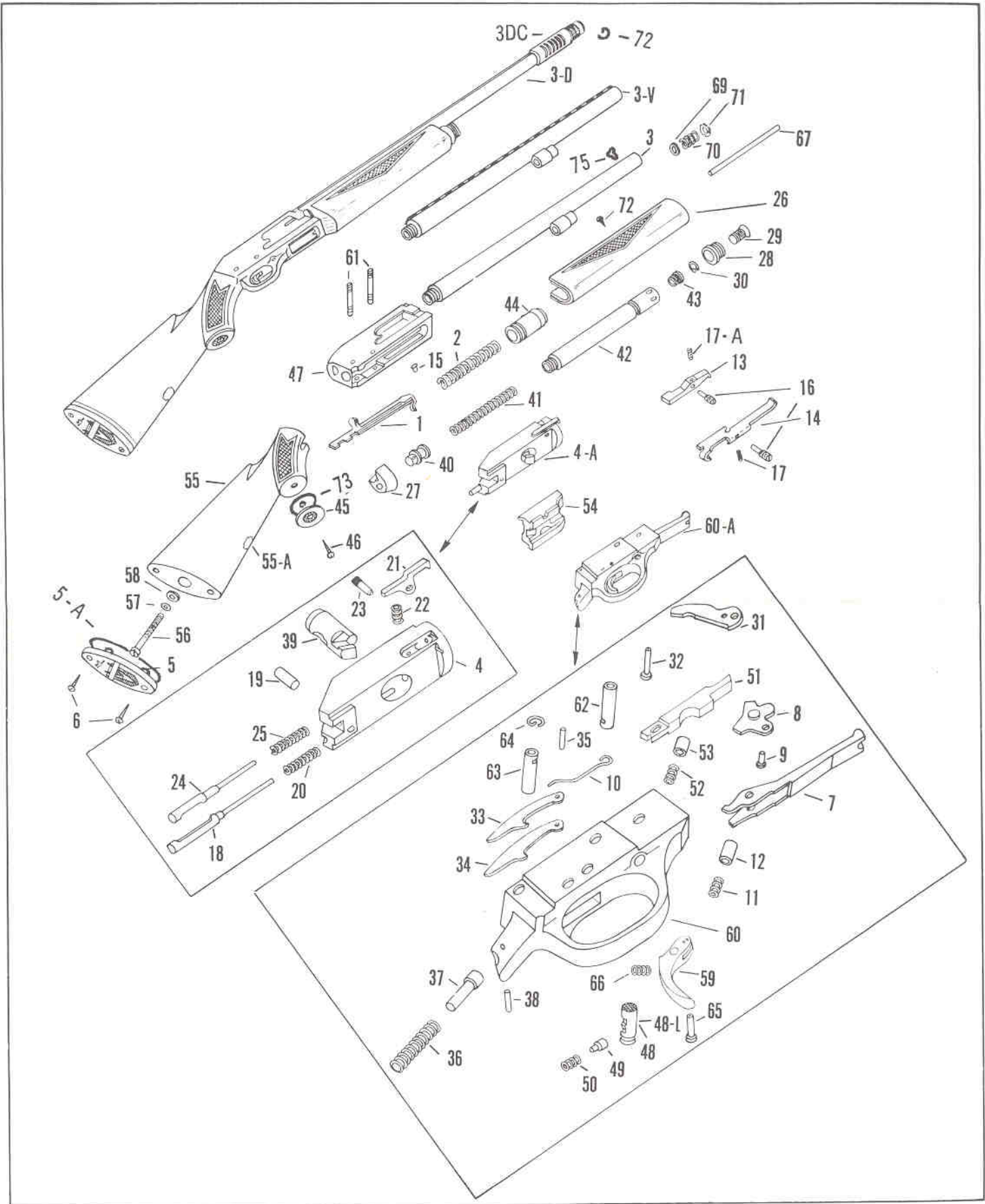
1. The Part Number in this List.
2. The Part Name in this List.
3. The Model Number of your Model 60 Automatic Shotgun.

This list is valuable. It will assure your being able to obtain proper parts service at all times. We suggest you keep it with other valuable papers.

**SEARS, ROEBUCK AND CO.**

Feb. 1957

991.57



P A R T S L I S T F O R  
J.C. HIGGINS MODEL 60 12 GAUGE AUTOMATIC SHOTGUN  
MODEL NUMBER 583.600

When ordering parts and/or assemblies, please specify MODEL and MODEL-NUMBER of the gun (i.e. 60-583.600) as well as whether barrels are ribbed, compensated or plain and degree of choke. All parts identified with an asterisk (\*) must be fitted to the gun by gunsmiths in the Sears mail order houses, or by local qualified gunsmiths sold as assemblies only.

| REF. NO. | PART NO. | PART NAME  | REF. NO. | PART NO. | PART NAME  |
|----------|----------|--|----------|----------|--|
| 1        | 757      | Action Bar   | 33       | 641      | Hammer Strut, R. H.  |
| 2        | 618      | Action Spring  | 34       | 642      | Hammer Strut, L. H.  |
|          | 697      | Receiver, Barrel and Cylinder Assy.<br>Plain                                     | 35       | 643      | Hammer Strut Pin   |
|          | 789      | Receiver, Barrel and Cylinder Assy.<br>with Ventilated Rib                       | 36       | 762      | Hammer Spring  |
|          | 788      | Receiver, Barrel and Cylinder Assy. De-<br>luxe with Choke-Control and Vent. Rib | 37       | 639      | Hammer Spring Guide  |
|          |          |  | 38       | 676      | Hammer Spring Retaining Pin  |
|          |          |  | 55-A     | 178      | Initial Plate  |
| 4        | 756      | Bolt   | 39       | 691      | Locking Pin  |
| 4-A      | 785      | Bolt Assembly  | 40       | 645      | Magazine Follower  |
| 5        | 620      | Butt Plate   | 41       | 646      | Magazine Spring  |
| 5-A      | 792      | Butt Plate Trim  | 42       | 647      | Magazine Tube  |
| 6        | 345      | Butt Plate Screw   | 43       | 648      | Magazine Tube Cap  |
| 7        | 608      | Cartridge Lifter   | 44       | 651      | Piston   |
| *8       | 677      | Cartridge Lifter Actuator Assembly   | 45       | 401      | Pistol Grip Cap  |
| 9        | 610      | Cartridge Lifter Actuator Hinge Pin  | 46       | 403      | Pistol Grip Cap Screw  |
| 10       | 675      | Cartridge Lifter Actuator Spring   | 73       | 402      | Pistol Grip Cap Trim   |
| 11       | 745      | Cartridge Lifter Spring  | 48       | 659      | Safety Button R. H.  |
| 12       | 689      | Cartridge Lifter Spring Plunger  |          | 751      | Safety Button L. H.  |
| 13       | 612      | Cartridge Stop, R. H.  | 49       | 605      | Safety Spring Plunger  |
| 14       | 774      | Cartridge Stop, L. H. Assembly   | 50       | 155B     | Safety Plunger Spring  |
| 15       | 679      | Cartridge Stop Button  | *51      | 771      | Sear   |
| 16       | 616      | Cartridge Stop Pin   | 52       | 649      | Sear Spring  |
| 17       | 777      | Cartridge Stop Spring, L. H.   | 53       | 652      | Sear Spring Plunger  |
| 17-A     | 656      | Cartridge Stop Spring, R. H.   | 54       | 664      | Slide  |
| 69       | 752      | Cylinder Washer  | 55       | 686      | Stock Assy.  |
| 70       | 753      | Cylinder Spring  | 56       | 666      | Stock Bolt   |
| 71       | 754      | Cylinder Nut   | 57       | 667      | Stock Bolt Lock Washer   |
| 72       | 11628    | Choke Click Spring   | 58       | 668      | Stock Bolt Washer  |
| 18       | 761      | Ejector  | 59       | 772      | Trigger  |
| 19       | 627      | Ejector and Firing Pin Retaining Pin   | 60       | 670      | Trigger Guard  |
| 20       | 846      | Ejector Retracting Spring  | 60-A     | 786      | Trigger Guard Assembly   |
| 21       | 755      | Extractor, R. H.   | 61       | 671      | Trigger Guard Retaining Pin  |
| 22       | 625      | Extractor Spring, R. H.  | 62       | 672      | Trigger Guard Retaining Pin<br>Bushing, Front                        |
| 23       | 119      | Extractor Pivot Pin  | 63       | 673      | Trigger Guard Retaining Pin<br>Bushing, Rear                         |
| 24       | 626      | Firing Pin   |          |          | Trigger Guard Retaining Pin<br>Bushing Retaining Spring              |
| 25       | 628      | Firing Pin Retracting Spring   | 64       | 674      | Trigger Hinge Pin  |
| 26       | 658      | Forehand Assembly  | 65       | 699      | Trigger Spring   |
| 27       | 759      | Forehand Base  | 66       | 657      | Wood Plug  |
| 28       | 631      | Forehand Cap   | 67       | 685      | Barrel and Cylinder Assy. Plain                                      |
| 29       | 632      | Forehand Cap Screw   | *3       | 730      | Barrel and Cylinder Assy. with<br>Ventilated Rib                     |
| 30       | 633      | Forehand Cap Screw Retaining Ring  | *3-V     | 732      | Barrel and Cylinder Assy. Deluxe<br>with Choke-Control and Vent. Rib |
| 73       | 130      | Front Sight  | *3-D     | 731      |  |
| 31       | 770      | Hammer   |          |          |  |
| 32       | 699      | Hammer Hing Pin  |          |          |  |
| 3DC      | 769      | Choke Assembly   |          |          |  |
| 47       | 606      | Receiver Assy. Plain   |          |          |  |
| 47       | 653      | Receiver Assy. with Rib  |          |          |  |