

**PARTS LIST FOR**  
**J. C. HIGGINS**  
**.22 CAL. MODEL 90 REVOLVER**  
**SINGLE AND DOUBLE ACTION 9 SHOT**

**IDENTIFICATION NUMBERS**

583.991S and 583.991L

The Identification Number will be found on the left side of the barrel, just forward of receiver. Always mention this Identification Number when communicating with us regarding the Model 90 Revolver or when ordering parts.

**PRICE LIST REFERENCE**

REFER TO THE DIVISION 6 AUTHORIZED PRICE LIST 583.00 FOR CURRENT SELLING PRICES, AVAILABILITY AND ORDERING INFORMATION.

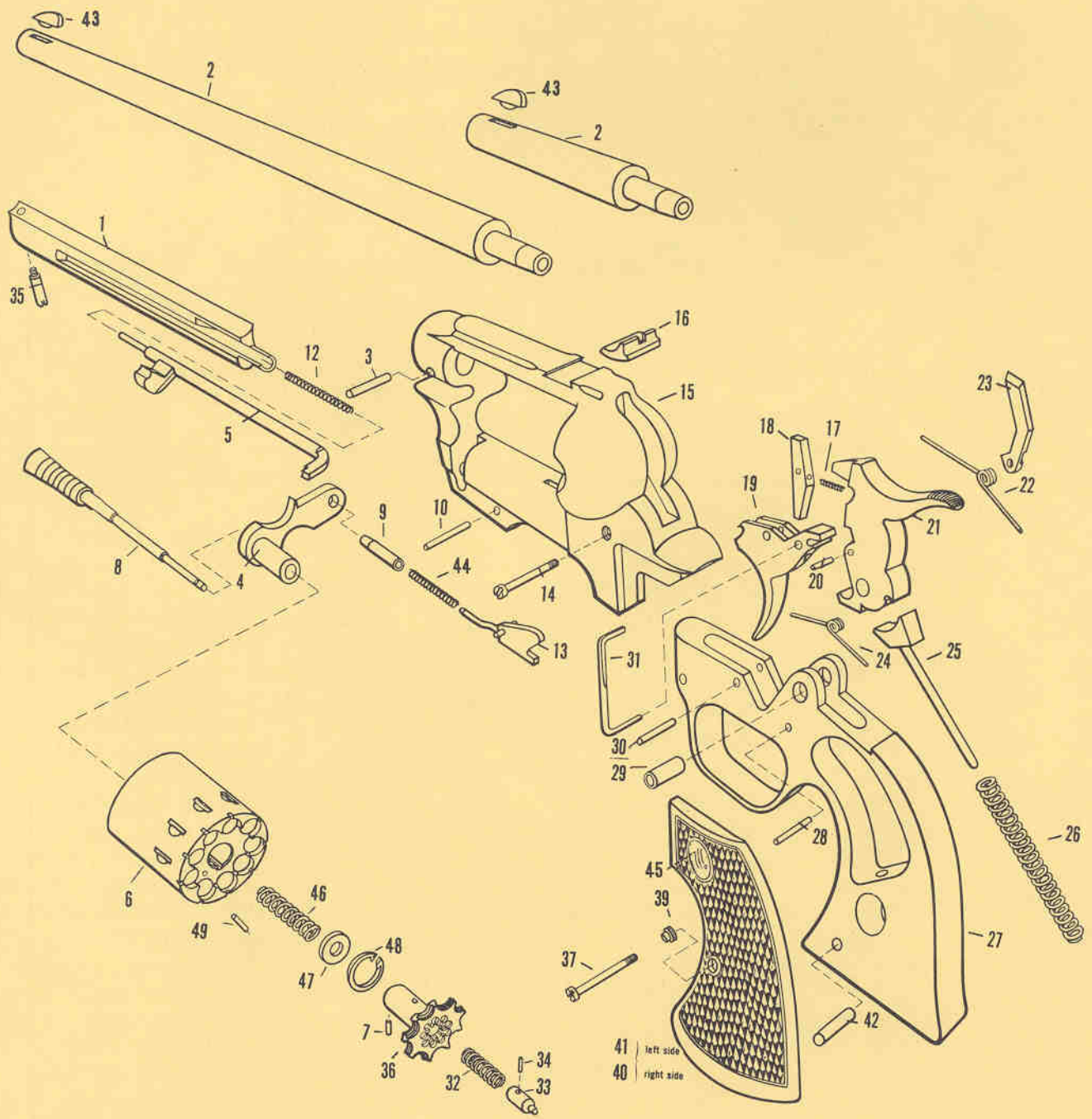
**Filing Instructions**

File this Parts List immediately after Parts List Number 583.991 in the Division 6 Standard Nomenclature Grey Binder, Volume 2.

**SEARS, ROEBUCK AND CO.—U.S.A.**

**IN CANADA: SIMPSONS-SEARS, LIMITED**

January, 1961



## PARTS LIST FOR

## J. C. HIGGINS MODEL 90 REVOLVER

## IDENTIFICATION NUMBERS 583.991S AND 583.991L

WHEN ORDERING REPAIR PARTS, ALWAYS GIVE THE FOLLOWING INFORMATION AS SHOWN IN THIS LIST:

1. THE PART NUMBER.
2. THE PART NAME.
3. THE MODEL NUMBER.
4. THE IDENTIFICATION NUMBER

All parts identified with a dagger (†) must be fitted to the gun by gunsmiths in Sears gunshops, or by qualified gunsmiths. Do not order repair parts by key number, always use the part number.

REF. NO.	PART NO.	PART NAME	IDENTIFICATION NO.
1	7304	Ejector Latch Housing	583.991L
2	7582	†Barrel 3½"	583.991S
	7567	†Barrel 9½"	583.991L
3	7104	Barrel Pin	583.991S and 583.991L
4	7520	†Crane Ass'y.	583.991S and 583.991L
5	7332	Ejector Latch Rod Ass'y.	583.991L
6		Cylinder (Not Sold Separately)	583.991S and 583.991L
N.I.	7507	Cylinder and Ejector Ass'y.	583.991S and 583.991L
7	7117	†Ejector Alignment Dowel	583.991S and 583.991L
8	7560	Ejector Rod	583.991S and 583.991L
9	7140	†Link Pivot Pin	583.991S and 583.991L
10	7379	Trigger Guard Ass'y. Pin	583.991S and 583.991L
12	7158	Ejector Latch Rod Spring	583.991L
13	7162	Cylinder Stop Ass'y.	583.991S and 583.991L
14	7333	Hammer Pivot Screw	583.991S and 583.991L
15		Frame (Not Sold Separately)	583.991S or 583.991L
16	7444	Sight — Rear	583.991S and 583.991L
17	7131	†Hammer Pawl Spring	583.991S and 583.991L
18	7129	†Hammer Pawl	583.991S and 583.991L
19	7385	Trigger and T. Spg. Contact Pin Ass'y.	583.991S and 583.991L
20	7130	†Hammer Pawl Pin	583.991S and 583.991L
21	7372	Hammer	583.991S and 583.991L
22	7181	†Hand Spring	583.991S and 583.991L
23	7185	†Hand	583.991S and 583.991L
24	7381	Trigger Spring	583.991S and 583.991L
25	7354	Hammer Spring Guide Ass'y.	583.991S and 583.991L
26	7335	Hammer Spring	583.991S and 583.991L
27	7371	Trigger Guard	583.991S and 583.991L
28	7149	†Trigger Pivot Pin	583.991S and 583.991L
29	7182	†Hammer Sleeve	583.991S and 583.991L
30	7149	†Trigger Spring Retaining Pin	583.991S and 583.991L
31	7134	†Hammer Safety Stop	583.991S and 583.991L
32	7513	†Cylinder Lock Plunger Spring	583.991S and 583.991L
33	7575	†Cylinder Lock Plunger	583.991S and 583.991L
34	7112	†Cylinder Lock Plunger Pin	583.991S and 583.991L
35	7317	Ejector Latch Housing Screw	583.991L
36		Ejector (Not Sold Separately)	583.991S and 583.991L
37	7368	Grip Screw	583.991S and 583.991L
39	7364	Escutcheon Nut	583.991S and 583.991L

REF. NO.	PART NO.	PART NAME	IDENTIFICATION NO.
40	7309	Grip R.H. Ass'y.	583.991S and 583.991L
41	7310	Grip L.H. Ass'y.	583.991S and 583.991L
42	7324	Grip Alignment Pin	583.991S and 583.991L
43	7342	Sight, Front	583.991S
	7549	Sight, Front	583.991L
44	7158	†Cylinder Stop Spring	583.991S and 583.991L
45	7369	Medallion	583.991S and 583.991L
N.I.	7110	Cylinder Bushing	583.991S and 583.991L
46	7576	Ejector Rod Return Spring	583.991S and 583.991L
47	7578	Return Spring Washer	583.991S and 583.991L
48	7577	Retaining Ring	583.991S and 583.991L
49	7245	†Cylinder-Ejector Alignment Pin	583.991S and 583.991L
N.I.	7389	Hammer Ass'y.	583.991S and 583.991L
N.I.	7591	†Barrel and Front Sight Ass'y. 3½"	583.991S
N.I.	7592	†Barrel and Front Sight Ass'y. 9½"	583.991L

N.I. Not Illustrated